

Project Name:	Part Number:	Type:
---------------	--------------	-------

SLIM PROFILE FLOOD

OUTDOOR



407-478-3759
www.ilp-inc.com

FEATURES

- Die cast aluminum housing with hinged driver access
- Bronze textured architectural powdercoat finish
- 1/2" coin plug with o-rings for conduit or optional photocell
- Tempered glass lens
- 120 beam angle
- Cast-in template for wall or junction box munting (std)
- 4000K and 5000K color options
- Rated for outdoor use
- 5 year warranty

complies with
RoHS



KMK
Knuckle Mounting Kit



YMK
Yoke Mounting Kit

SUITABLE APPLICATIONS

- Parking Lots
- Buildings
- General Area Lighting
- Signs

LED SYSTEMS INFORMATION		20W	30W		20W	30W
Calculated L ₇₀ (TM-21)	4000K	>100K	>100K	5000K	>100K	>100K
Delivered Lumens		1887 lm	2738 lm		1864 lm	2918 lm
Total Input Watts		20 W	28 W		20 W	29 W
Luminaire Efficacy Rating (LER)		95 lm/W	97 lm/W		91 lm/W	100 lm/W
Correlated Color Temperature (CCT)		4000K	4000K		5000K	5000K
Color Rendering Index (CRI)		>80	>80		>80	>80
Maximum Ambient Temperature		-13°F - 115°F	-13°F - 110°F		-13°F - 115°F	-13°F - 110°F
Universal Driver		120-277 V	120-277 V		120-277 V	120-277 V

LED System data above based on WPSP-20WLED-UNIV-40, WPSP-30WLED-UNIV-40, WPSP-20WLED-UNIV-50 & WPSP-30WLED-UNIV-50
LED Lumen Maintenance Estimates based on TM-21 projections for the light source at 25°C ambient.

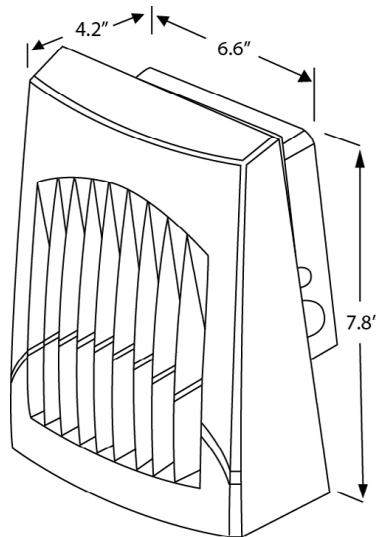
ORDERING GUIDE:

Series	Mounting	Watts	Driver	Color	Options
WPSP Slim Profile Flood	KMK Knuckle Mounting Kit	20WLED	UNIV 120-277 Driver	5000K	CORDx Cord (x = ft)
	YMK Yoke Mounting Kit	30WLED		4000K	PLUG Plus (x = type, eg. L715P)
					PCxxx Photocell (xxx = voltage)

SLIM PROFILE FLOOD

OUTDOOR

LINE DRAWING



MOUNTING OPTIONS

These fixtures are extremely versatile and come with several mounting options, offering a stylish solution for a wide range of outdoor applications.

- Cast-in Template for Wall or Junction Box Mounting (std.)
- Optional Knuckle Mounting Kit (KMK)
- Optional Yoke Mounting Kit (YMK)



KMK
Knuckle Mounting Kit



YMK
Yoke Mounting Kit

SLIM PROFILE FLOOD

OUTDOOR

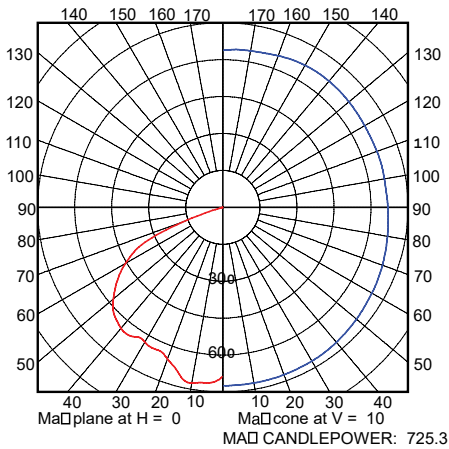
PHOTOMETRIC REPORTS

WPSP-20WLED-UNIV-40

SUMMARY DATA

HEMISPHERES TESTED: BOTH
EFFICIENCY (Downlight/Uplight): 100.0 % / 0.0 %
EFFICIENCY (Street/House): 71.6 % / 28.4 %
ROADWAY CLASSIFICATION: TYPE III, VERY SHORT
CUTOFF CLASSIFICATION: FULL CUTOFF
LUMENS: 1503.3
INPUT WATTS: 19.7

CANDELA PLOT



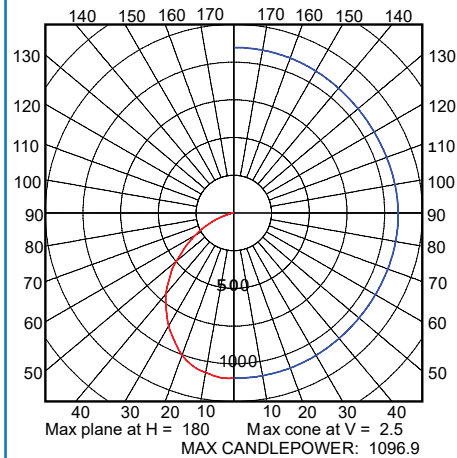
Photometric values based upon tests performed in compliance w/ LM-79.
Download IES files at www.ilp-inc.com

WPSP-30WLED-UNIV-40

SUMMARY DATA

HEMISPHERES TESTED: LOWER
EFFICIENCY (Downlight/Uplight): 100.0 % / 0.0 %
EFFICIENCY (Street/House): 50.3 % / 49.7 %
ROADWAY CLASSIFICATION: TYPE VS
CUTOFF CLASSIFICATION: FULL CUTOFF
LUMENS: 2356.79
INPUT WATTS: 27.4

CANDELA PLOT



Photometric values based upon tests performed in compliance w/ LM-79.
Download IES files at www.ilp-inc.com