

Project Name:	Part Number:	Type:
---------------	--------------	-------

# MEDIUM FLOOD - 55W LED

## FLOODS 2.0



407-478-3759  
www.ilp-inc.com

### FEATURES

- Bronze die-cast aluminum housing
- Custom and factory select colors available (Contact factory for pricing)
- Diffused tempered glass lens
- Box mounting options also available (3' cord & watertight bushing included)
- Hinged front frame w/ removable back cover for easy access to driver
- Watertight cord grip installed
- Standard yoke included
- 4000K & 5000K CCT
- 0-10V Dimmable Driver
- IP65 Rating
- 5 Year Warranty
- ETL Listed for Wet Location
- DesignLights Consortium® Premium Qualified Luminaire



**REPLACES**  
175W MH



complies with  
**RoHS**



### SUITABLE APPLICATIONS

- Parking Lots
- Buildings
- General Area Lighting
- Loading Docks

LED SYSTEMS INFO	4000K	5000K
Calculated L <sub>70</sub> (TM-21)	>100K	>100K
Delivered Lumens	6,311 lm	6,118 lm
Total Input Watts	54 W	54 W
Luminaire Efficacy Rating (LER)	117 lm/W	113 lm/W
Correlated Color Temperature (CCT)	4000K	5000K
Color Rendering Index (CRI)	>80	>80
Ambient Temperature Range	-40°F - 115°F	-40°F - 115°F
Universal Driver	120-277 V	120-277 V

LED System data above based on FML-55WLED-UNIV-40 & FML-55WLED-UNIV-50  
LED Lumen Maintenance Estimates based on TM-21 projections for the light source at 25°C ambient.

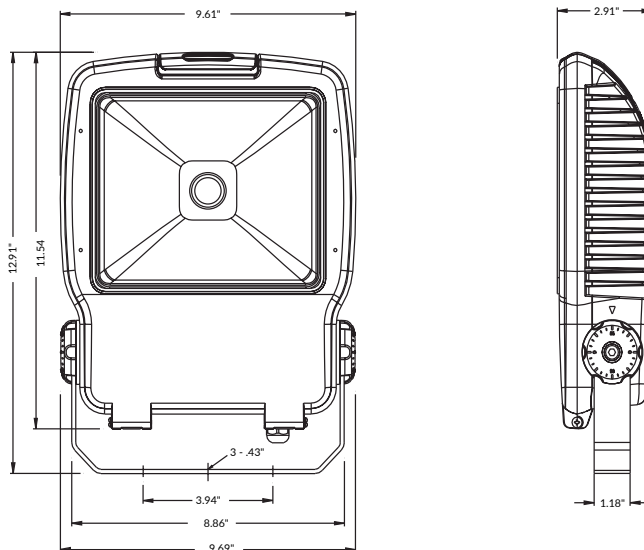
### ORDERING GUIDE:

Series	Watts	Driver	Color	Description
FML Medium Flood	55WLED	UNIV 120-277V Driver	50	CORDW/x Wet Location Strain Relief Cord (x = ft)
			40	PC Photocell Universal Voltage (120-277V)
				SMLxxxx Specified Max Lumen Output (xxxx = lumen output)
				GS Glare Shield
				WG Wire Guard
				PMB Pole Mount Bracket (3' cord & bushing incl.)
				TMB Tenon Mount Bracket (3' cord & bushing incl.)
				BMA Box Mount Adapter (3' cord & bushing incl.)
				SP1 10kA Max Univolt Surge Protector

# MEDIUM FLOOD - 55W LED

## FLOODS 2.0

### LINE DRAWING



### MOUNTING OPTIONS & ACCESSORIES

- **WG** - Wire Guard
- **GS** - Glare Shield
- **PMB** - Pole Mounting Bracket - includes 3ft cord and watertight bushing (EPA Rating: 2.31ft<sup>2</sup> vertically / 1.08ft<sup>2</sup> horizontally)
- **TMB** - Tenon Mounting Bracket -includes 3ft cord and watertight bushing (EPA Rating: 2.32ft<sup>2</sup> vertically / 1.09ft<sup>2</sup> horizontally)
- **YMK** - Standard yoke included - (EPA Rating: 2.23ft<sup>2</sup> vertically / 1.001ft<sup>2</sup> horizontally)



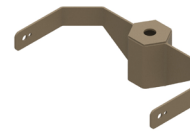
Wire Guard



GS

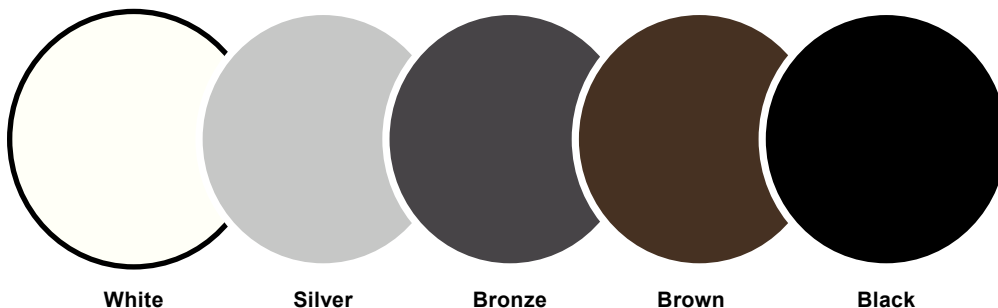


PMB



TMB

### FACTORY SELECT COLOR GUIDE



White

Silver

Bronze

Brown

Black

COLOR NAME AND DESCRIPTION	SHEEN	PRODUCT	VENDOR	PRICING
WHT - ILP White	SEMI GLOSS	POLANE T	SHERWIN-WILLIAMS	Contact Factory for Pricing
SLV - ILP Silver - Ultrasonic Chrome	GLOSS	POLANE T	SHERWIN-WILLIAMS	Contact Factory for Pricing
BRZ - ILP Bronze - std. & in stock	SEMI GLOSS	POLANE T	SHERWIN-WILLIAMS	Standard
BRN - ILP Brown	SEMI GLOSS	POLANE T	SHERWIN-WILLIAMS	Contact Factory for Pricing
BLK - ILP Black	SEMI GLOSS	POLANE T	SHERWIN-WILLIAMS	Contact Factory for Pricing

**COLORS SHOWN ABOVE ARE TO BE USED AS REFERENCE, NOT EXACT MATCH.  
PLEASE REQUEST PAINT CHIPS FOR EXACT MATCH.**

# MEDIUM FLOOD - 55W LED

FLOODS 2.0

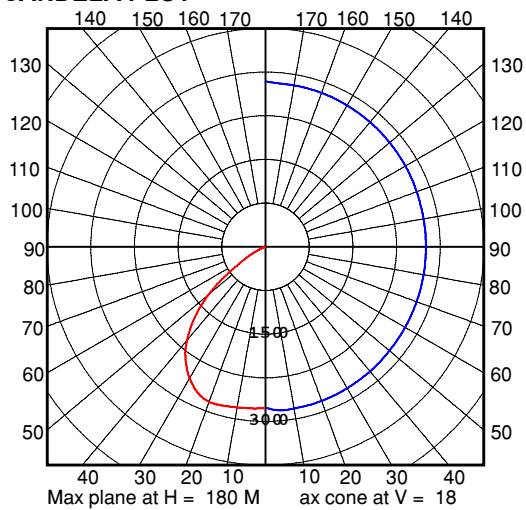
## PHOTOMETRIC REPORT

### FML-55WLED-UNIV-40

#### SUMMARY DATA

HEMISPHERES TESTED:	BOTH
EFFICIENCY (Down / Up):	100.0 % / 0.0%
EFFICIENCY (Street / House):	49.8 % / 50.2 %
ROADWAY CLASSIFICATION:	TYPE VS
CUTOFF CLASSIFICATION:	FULL CUTOFF
LUMENS:	6401.2
INPUT WATTS:	53.92

#### CANDELA PLOT



MAX CANDLEPOWER: 2839

Photometric values based upon tests performed in compliance with LM-79.  
IES files can be downloaded at [www.ilp-inc.com](http://www.ilp-inc.com)