



Client: _____ Order #: _____
Project Name: _____ Type: _____ Qty: _____

D211-LED

Medium Round Back Flood

Performance Data

CRI
80+

CCT
3000K, 3500K, 4000K, 5000K

Projected Lifetime

L70 - 118,000 Hours;
L80 - 72,000 Hours

Dimming

0-10V dimming standard,
100% down to 10%

Operating Temperature

-40°C to +50°C Ambient

UL Listed

Suitable for dry, damp, wet
locations



DLC Listed	UL Listed	10 Yr Warranty Including Labor	USA Buy American Act Compliant
----------------------	---------------------	---	---

Description

The functional and aesthetically pleasing D211-LED is ideal for buildings, backyards, parks, signs, sports fields, and other general applications where flood lighting may come into use. Also suitable for accent, facade, landscape, parking lot, pathway, recreation, retail and security lighting.

Features

- Rugged cast aluminium "round back" housing protects internal components.
- Die-cast aluminium door with twin screw enclosure and hinged bottom.
- Tempered, impact resistant glass lens with weather tight gasket seal.
- Large 1/2" universal aiming swivel knuckle with various mounting adapters
- Slip Fitter mounting bracket designed to fit 2 3/8" pole
- Wide, uniform beam for signs, facades and small areas.
- Bronze or white protective powder coated finish.
- DLC listed for utility rebates (see matrix on Page 3 for more information on models listed)

D211-LED



Ordering Information

A FIXTURE SERIES

D211-LED Medium Round Back Flood

B WATTAGE/LUMENS

20	20W/2490 ^{3,4}
30	30W/3480 ^{3,4}
40	40W/4370 ^{3,4}
60	60W/7010 ^{3,4}
80	80W/8930 ^{3,4}

C CCT

30	3000K
35	3500K
40	4000K
50	5000K ¹

D VOLTAGE

U	120-277V
K	347-480V

E OPTICS

5	Type 5 ¹
N	40° Narrow Flood
M	55° Medium Flood
W	70° Wide Flood

F MOUNTING

SF	Slip Fitter
HK	Heavy Duty Adjustable Knuckle ⁶
YM	Yoke Mount

G FINISH

Z	Bronze ¹
B	Black
W	White
C	Custom ²

H OPTIONS

PC	Photocell ⁵
TP	Tamper Proof

I ACCESSORIES

SEE PAGE 2

¹ Standard for fixture

² Contact factory for custom finish

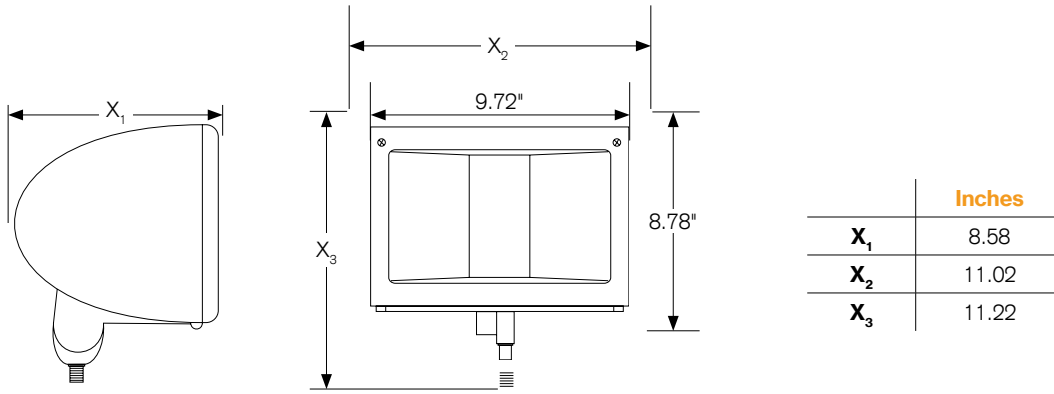
³ Delivered Lumens (5000K Type 5 Optic)

⁴ DLC Listed wattage (see matrix on Page 2 for more info on models currently listed)

⁵ Please indicate 347V or 480V

⁶ See page 2 for options

Dimensions



Accessories Order Information

D211-PTF	Post Top Fitter (must order HK mount)
D211-GTF	Ground Stake Top Fitter (must order HK mount)
D211-WG	Wire Guard
D211-GS	Glare Shield

Please note these options are shipped separately

DLC Listed

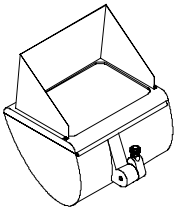
	20W	30W	40W	60W	80W
	T5	T5	T5	T5	T5
4000K	X	X	X	X	X
5000K	X	X	X	X	X

Projected LED Maintenance

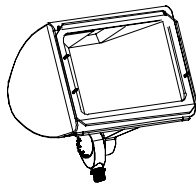
Operating Hours	0	25,000	50,000	75,000	100,000
	25°C (77°F) Ambient Outdoor Temp				
Lumen Maintenance Factor	1	0.92	0.85	0.79	0.74
	35°C (95°F) Ambient Outdoor Temp				
	1	0.88	0.78	0.70	0.62

Mounting Options & Accessories

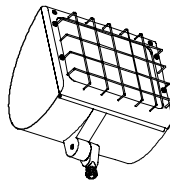
Glare Shield



Polycarbonate Lens Shield



Wire Guard



Heavy Duty Adjustable Knuckle



HID Ground Stake



Yoke Mount



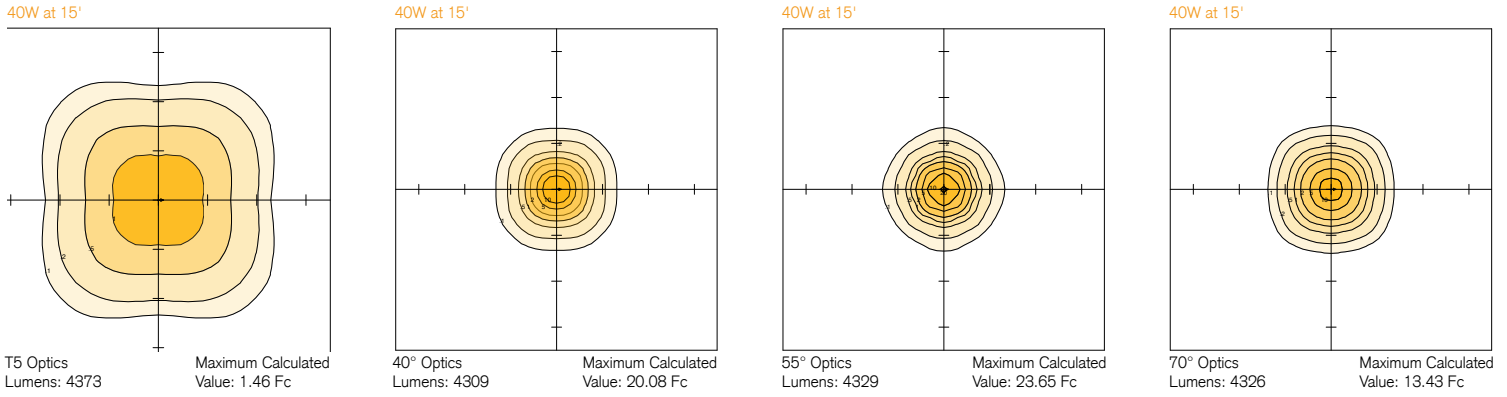
Slip Fitter



Post Top Fitter



Photometrics



Lumen Output

Lumen Chart (5000K)

Model Number	System Watts	T5	40° (N)	55° (M)	70° (W)
D211-LED-20-50-UNV	19	2492	2425	2444	2441
D211-LED-30-50-UNV	27	3481	3416	3438	3435
D211-LED-40-50-UNV	36	4373	4309	4329	4326
D211-LED-60-50-UNV	56	7014	6938	6956	6953
D211-LED-80-50-UNV	76	8935	8875	8897	8891

CCT Multipliers

DELIVERED LUMEN OUTPUT

	5000K	4000K	3500K	3000K
Standard	100%	98%	95%	93%

Use above multipliers relative to the 5000K delivered lumen output of the desired optic distribution below to calculate lumen output by CCT