



VALUE SQUARE CANOPY

LED CANOPY/PARKING GARAGE



407-478-3759
www.ilp-inc.com

FEATURES

- Rugged low-profile die-cast aluminum housing
- UV stabilized and impact resistant polycarbonate lenses
- Up to 3% uplight eliminates cave effect
- Quick mounting plate with hook on feature allow for easy installation
- Three 1/2" coin plugs on sides for conduit or photocell
- 4000K Color Temperature; Consult Factory for Alternate CCTs ¹
- >80 Color Rendering Index (CRI)
- 0-10V Dimmable Driver to 10%
- IP65 Rated Luminaire
- 120-277V Universal Voltage or 347-480V High Voltage
- Optional Microwave sensor for 360° occupancy detection
- Optional Universal Pencil Photocell
- 5 Year Warranty
- UL Listed for Wet Locations
- DesignLights Consortium® Premium Qualified Luminaire



Diffuse Medium Lens



Parking Garage Wide Lens



SUITABLE APPLICATIONS

- Walkways
- Building Perimeter/Security Lighting
- Loading docks
- Entrances
- Stairways
- Car Ports
- Parking Garages

ORDERING GUIDE:

SERIES	LUMENS	DRIVER	COLOR	LENS	FINISH
CP Value Square Canopy	5L	U 120-277V	50 ¹	BLANK Diffuse Medium	BLANK Bronze
	7L	HV ¹ 347-480V	40	PG Parking Garage Wide	WHT ¹ White
	9L				BLK ¹ Black

OPTIONS	
Factory Installed	
SP1 ²	10kA Max Univolt Surge Protection
SP2 ²	22kA Max Univolt Surge Protection
FUSE/SXXX ²	Single-line Voltage Fuse (120, 277)
FUSE/DXXX ²	Dual-line Voltage Fuse (208, 240)

CONTROLS OPTIONS	
Basic	
PCU ²	Universal Button (120-277V)
MWS ²	Microwave Sensor (120-277V)

¹Consult factory for availability; subject to longer lead-times and minimum order quantities.
²Not available in HV



QUICK SHIP ITEMS:

SERIES	LUMENS	DRIVER	COLOR
CP Value Square Canopy	5L	U 120-277V	40
	7L		
	9L		

VALUE SQUARE CANOPY

LED CANOPY/PARKING GARAGE

LED SYSTEMS INFORMATION ¹		4000K		5000K ³		Watts ²	DLC Listing	Replaces
Part Numbers	Lens	Lumens	Efficacy	Lumens	Efficacy			
CP-5L	BLANK	5,090 lm	127 lm/W	5,104 lm	128 lm/W	40W	Premium	150W
CP-7L	BLANK	7,328 lm	124 lm/W	7,730 lm	131 lm/W	59W	Premium	175W
CP-9L	BLANK	8,192 lm	124 lm/W	8,260 lm	125 lm/W	66W	Premium	250W
CP-5L	PG	5,093 lm	127 lm/W	5,256 lm	131 lm/W	40W	Premium	150W
CP-7L	PG	7,602 lm	129 lm/W	7,926 lm	134 lm/W	59W	Premium	175W
CP-9L	PG	8,455 lm	128 lm/W	8,744 lm	132 lm/W	66W	Premium	250W

¹Values are nominal, see IES file for more detail
²Electrical data at 25C (77F). Actual wattage may differ by +/-10%.
³Consult factory for availability; subject to longer lead-times and minimum order quantities.

SPECIFICATIONS

CONSTRUCTION

Value Square Canopy luminaires feature a rugged low-profile die-cast aluminum housing with a durable Bronze polyester powder coat finish to withstand extreme weather changes without cracking or peeling (Consult factory for availability of alternate finishes). The UV stabilized and impact resistant polycarbonate lenses are designed to provide maximum rigidity and optical transmissions up to 92% . The lenses seal to the housing with a one-piece gasket creating an IP65 rating for maximum ingress protection.

ELECTRICAL

High-performance driver features over-voltage, under-voltage, short-circuit and over temperature protection. 0-10V dimming (10% - 100%) standard. Standard Universal Voltage (120-277 Vac) Input 50/60 Hz or optional High Voltage (347-480 Vac). L70 >50,000 hrs. in accordance of IESNA TM-21-11 Projected values at 25°C Ambient temperature. Total harmonic distortion: <20%. Power factor: >0.90. Input power stays constant over life. Minimum 2.5kV surge rating.

INSTALLATION

The Value Square Canopy luminaires feature an integral quick surface mount bracket, eliminating the need to open the luminaire during installation to the Junction box or ceiling surface resulting in IP65 ingress protection that is effortless and secure. Three ½” conduit entry points allow for surface-conduit wiring. The CP can also be pendant mounted with ¾” pendant stems (provided by others). Fixture leads exit the back of the casting through a water-tight connector.

WARRANTY

5 Year Warranty (Terms and Conditions apply). See Website for more details. <https://www.ilp-inc.com/documents/>

OPTICS

Value Square Canopy ships standard with a diffuse prismatic lens that virtually eliminates glare and optimizes the delivered light for maximum visual comfort. The Value Square Canopy is also available with an optional prismatic wide distribution lens that is designed specifically to maximize fixture spacing for parking garage applications. Available in 4000K color temperature (CCT) per ANSI C78.377. Consult factory for availability of alternate CCTs.

THERMAL

The Value Square Canopy features an array of High-efficacy LED's on a metal core circuit board. The LED board is mounted directly to a cast aluminum housing with heat dissipating fins to provide excellent thermal performance extending the life of electronic components. Operating Ambient Temperature: -40°C to +40°C (-40°F to 104°F)

CONTROLS

Optional Microwave sensor available for 360 degree motion detection discretely installed behind the polycarbonate lens. The MWS is pre-configured to the unique site application requirements; See page 3 for more details. Three ½” apertures allow for field or factory installed 120-277V universal electronic photocell.

CERTIFICATIONS

UL Listed for wet locations. DesignLights Consortium® (DLC) Premium qualified product and DLC qualified product. Not all versions of this product may be DLC Premium qualified or DLC qualified. Please check the DLC Qualified Products List at www.designlights.org/QPL to confirm which versions are qualified. Title 24 Compliant with MWS option; see local ordinance for qualification information. Tested in accordance with IESNA LM-79 and LM-80 standards.

VALUE SQUARE CANOPY

LED CANOPY/PARKING GARAGE

CONTROLS OPTIONS

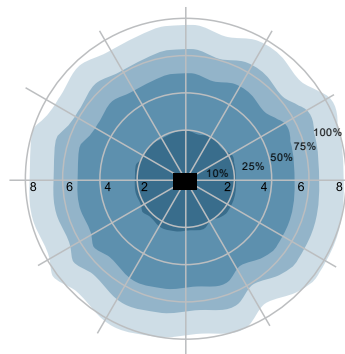
PCU

Three 1/2" apertures allow for field or factory installed 120-277V universal electronic pencil photocell.



MWS Occupancy Sensor

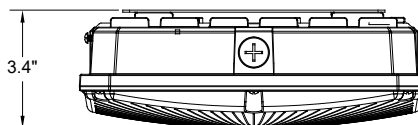
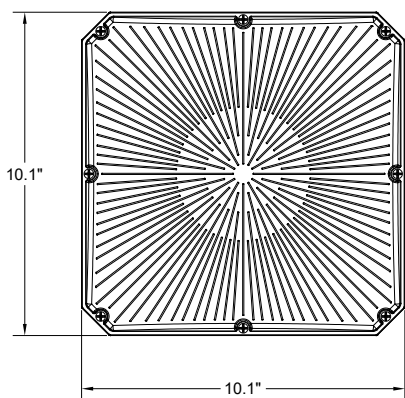
The integral microwave occupancy sensor activates switching of luminaire light levels. The Microwave occupancy sensor is discretely installed behind the polycarbonate lens and is available for universal (120-277V) only. Standard Factory settings: High level light is activated and increased to full bright upon detection of motion. Low light level (10% maximum drive current) is activated when target zone is absent of motion activity for ~5 minutes. See coverage diagram for detection cone. Consult Factory for alternate settings.



Ceiling mounting pattern (Unit: Ft)
Suggested installation height: 9 - 33ft

LINE DRAWINGS

Diffuse Medium Lens



Parking Garage Wide Lens

