

Project Name:

Part Number:

Type:

# 2'X4' VOLUMETRIC TROFFER

## RECESSED TROFFER



407-478-3759  
www.ilp-inc.com

### FEATURES

- Architectural design
- Steel housing
- White powdercoat finish
- 91% white reflector
- Frosted acrylic lens
- 0-10V Dimmable Driver (100% - 5%)
- TypelC (suitable for insulation contact)
- 3500K and 4000K available
- Universal Voltage
- 5 Year Warranty
- DesignLights Consortium® Premium Qualified Luminaire



### SUITABLE APPLICATIONS

- Offices
- Hallways
- Multipurpose Rooms
- Conference Rooms

LED SYSTEMS INFO		30W	34W	56W		30W	34W
Calculated L <sub>70</sub> (TM-21)	4000K	>100K	>100K	>100K	3500K	>100K	>100K
Delivered Lumens		3,780 lm	4,590 lm	7,004 lm		3,205 lm	4,294 lm
Total Input Watts		30 W	34 W	56 W		28 W	32 W
Luminaire Efficacy Rating (LER)		126 lm/W	135 lm/W	125 lm/W		115 lm/W	133 lm/W
Correlated Color Temperature (CCT)		4000K	4000K	4000K		3500K	3500K
Color Rendering Index (CRI)		>80	>80	>80		>80	>80
Ambient Temperature Range		110°F	110°F	110°F		110°F	110°F
Universal Driver		120-277 V	120-277 V	120-277 V		120-277 V	120-277 V

LED System data above based on VOL24-30WLED-UNIV-40, VOL24-34WLED-UNIV-40, VOL24-56WLED-UNIV-40, VOL24-30WLED-UNIV-35\*, VOL24-42WLED-UNIV-35 & VOL24-42WLED-UNIV-35.  
LED Lumen maintenance estimates based on TM-21 projections for the light source at 25°C ambient.  
\* Not on DLC

### ORDERING GUIDE:

Series	Watts	Driver	Color	Options	
VOL24 Volumetric Troffer 2'x4'	30WLED	UNIV 120-277V Driver	40	FLGK	Flange Kit
	34WLED		35	WHIP/6ft/5WIRE/600V	6ft MC Cable w/ 3 leads attached to power & 2 leads attached to dimming (120V-277V)
	42WLED†		WHIP/6ft/6WIRE/600V	6ft MC Cable w/ 3 leads for fixture power, 1 lead for battery backup power & 2 leads attached to dimming (120V-277V)	
	56WLED**		FI/ILBCP05†	Factory Installed 5W LED Battery Backup	
				FI/ILBCP07†	Factory Installed 7W LED Battery Backup
				FI/ILBCP10†	Factory Installed 10W LED Battery Backup
				FI/ILBCP12†	Factory Installed 12W LED Battery Backup

† Height with factory installed battery backup up to 5.125

\* Does not qualify for DLC

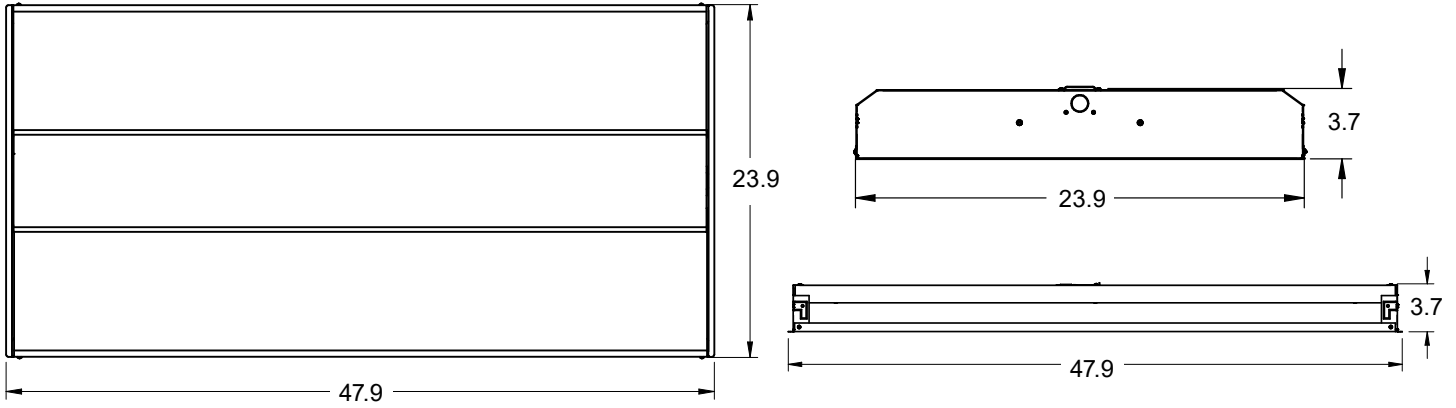
\*\* Not available in 3500K

‡ Not available in 4000K

# 2'X4' VOLUMETRIC TROFFER

RECESSED TROFFER

## LINE DRAWINGS



# 2'X4' VOLUMETRIC TROFFER

## RECESSED TROFFER

### PHOTOMETRIC REPORTS

