

Catalog #	Type
Project	
Notes	Date
By	

WALL PACK SERIES

FEATURES

- Open Air Flow Through Housing and Discreet LED Heat Sinks Promote Efficient Thermal Dissipation for Cool Operation
- Color Temperature: 4000K or 5000K (Other Color Temperatures are Available Upon Request)
- Easily Accessible High Efficiency Power Supply
- Light Weight, Low Profile Aluminum Housing
- Long Life Durable Powder Coat Finish Custom (RAL) Colors are Available Upon Request
- IP65 Rated (Wet Listed)
- Useful Life 80,000 to 100,000 Hours
-L70 Projection is 60,000 hours based on components (LED's)
-LM-80-08 test data using TM-21-11
- Full Cutoff (Meets IDA Criteria)
- CRI = 70
- Operating Temperature -40C (-40 F) to 55C (131 F)



ELECTRICAL SPECIFICATIONS

- Power Input: 120-277 VAC 50/60Hz
- Power Factor: >95%
- THD <20% at Full Load
- Surge Suppression 10kV
- Photocell or Wireless Control (Optional)
(For other control options please contact Optec)
- Optional 347V or 480V

TEST & CERTIFICATIONS

- ETL Listed
- UL Standard 1598 & 8750 and 1012
- CSA C22.2 No. 107.1 and No. 250.0
- LM79, LM80
- RoHS Compliant



WARRANTY

- 5 - Year warranty (Parts or Replacement)

PERFORMANCE SPECIFICATIONS

Lens Type	Model	Lumens		Wattage	Operating Current @120V	B.U.G.*
		4000K	5000K			
3	OLWP2-020	2000	2000	20	0.17	1 0 1
	OLWP2-030	3000	3000	30	0.26	1 0 1
	OLWP2-040	4000	4000	40	0.33	2 0 1
	OLWP2-050	5000	4800	50	0.39	2 0 1
	OLWP2-060	6000	6000	60	0.49	3 0 1

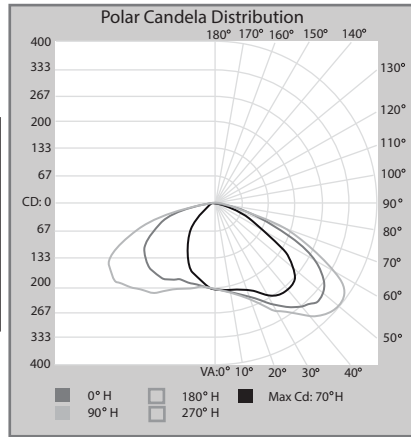
Note: Net delivered lumen values are based on 600mA operating current.
* Per TM-15-11-For more information on the IES B.U.G. (Backlight/Uplight/Glare) Rating please visit www.iesna.org/PDF/Erratas/TM-15-11,BugRatingsAddendum.pdf. Ratings only apply to fixtures positioned in the horizontal plain (no tilt).

optec LED LIGHTING

WALLPACK SERIES

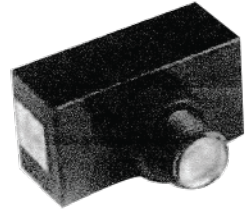
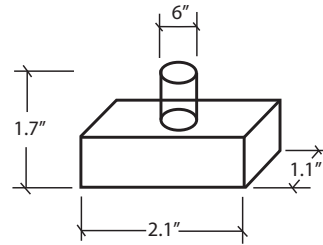
LIGHTING PERFORMANCE

Type	3
Model	50W
Color Temperature	5000K
Operating Current	600mA
Lumens	500lm



PHOTOCELL SPECIFICATIONS

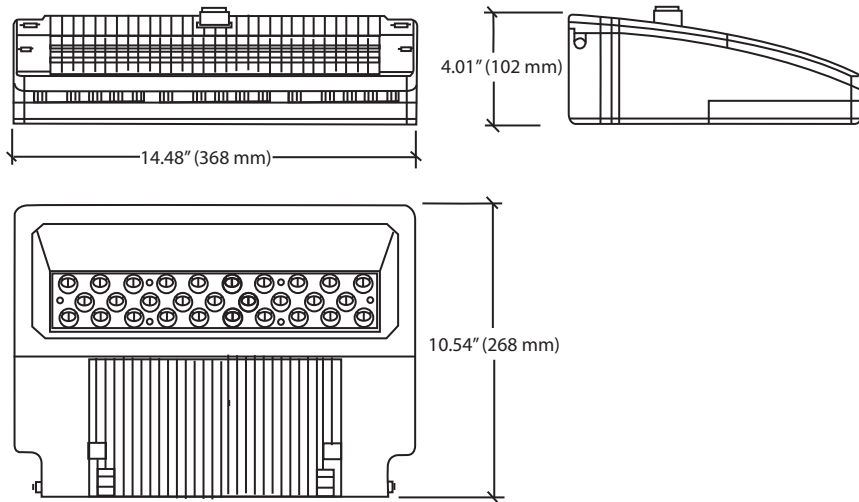
- On-Off Levels: 10-20Lx On (Dusk)
30-60Lx Off (Dawn)
- Ambient Temp. -40° F- +158° F
- Relative Humidity: 96%
- Power Consumption: 1.5VA Max



Published luminaire photometric testing performed to IESNA-79-08 standards

DIMENSIONS & WEIGHTS

Wattage	All Models
Height	4.01" (102 mm)
Length	10.54" (268 mm)
Width	14.48" (368 mm)
Weight	13 lbs. (5.9 kg)



For dimensions, weights and EPA ratings on wattages not listed please contact Optec.

ORDERING INFORMATION

Example OLWP2-30-UNV-50-3-SM-BZ-BP

Series	Size/Wattage	Voltage	Color Temperature	Distribution	Mount	Finish	Controls/Options
OLWP2 = Optec LED Wallpack	020 = 20W 030 = 30W 040 = 40W 050 = 50W 060 = 60W	UNV = 120-277V 347 = 347V 480 = 480V	40 = 4000K 50 = 5000K	3 = Type III	SM = Surface Mount	WH = White BZ = DK Bronze BL = Black SL = Silver CC = Custom Color	DM = 0-10V Dim WC = Wireless Control BP = Button Photocell